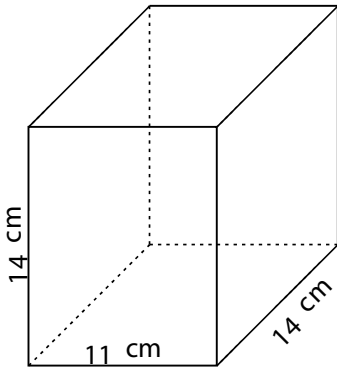


Name : ..... Class : .....

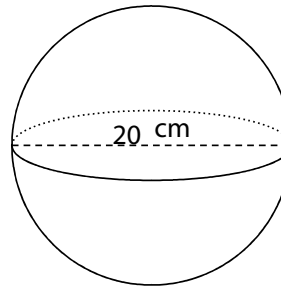
## Calculate the area and the volume of shapes

Find the surface area and the volume of each geometric shape below.

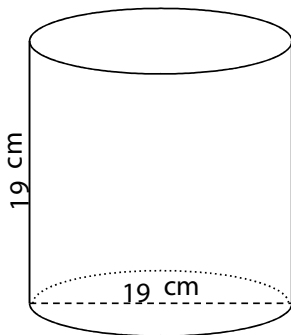
1.



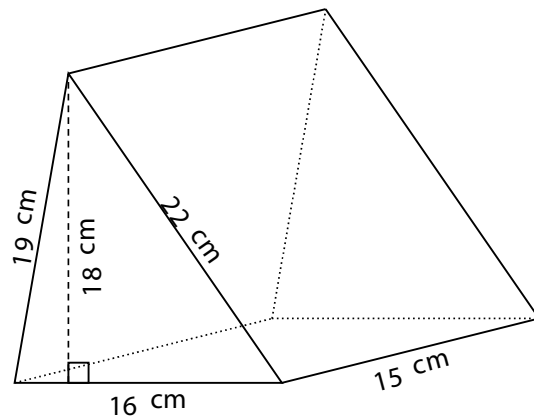
2.



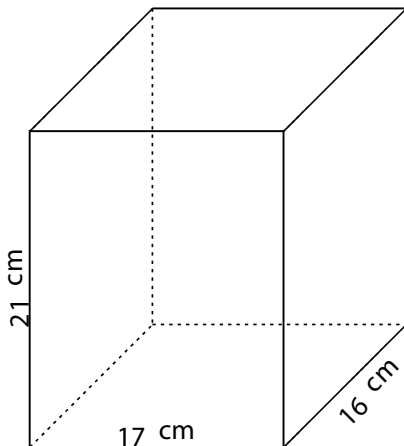
3.



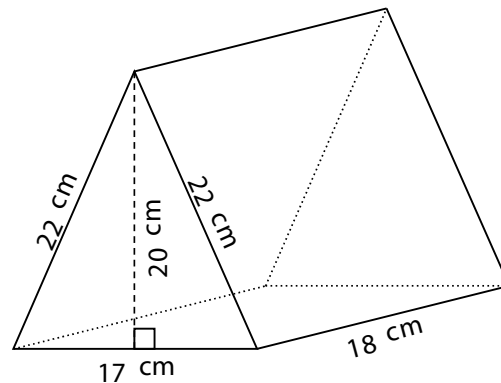
4.



5.



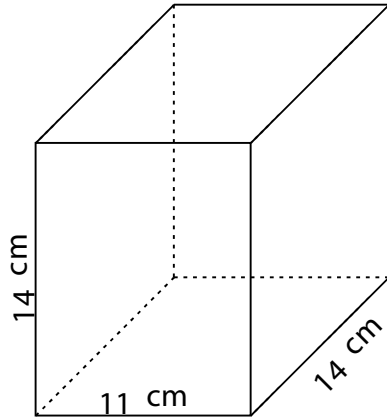
6.



# ANSWER SHEET

Find the volume.

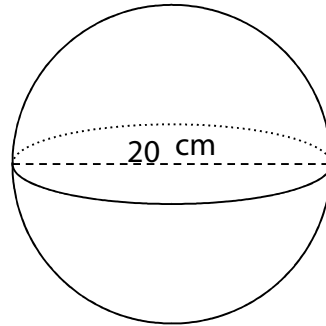
1.



---

$$V = 2156 \text{ cm}^3 \quad SA = 1008 \text{ cm}^2$$

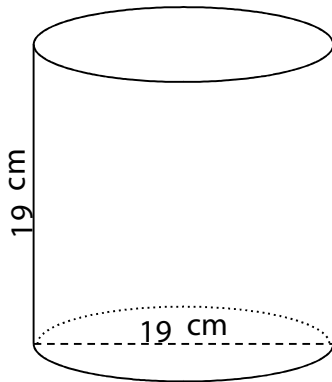
2.



---

$$V = 4189 \text{ cm}^3 \quad SA = 1257 \text{ cm}^2$$

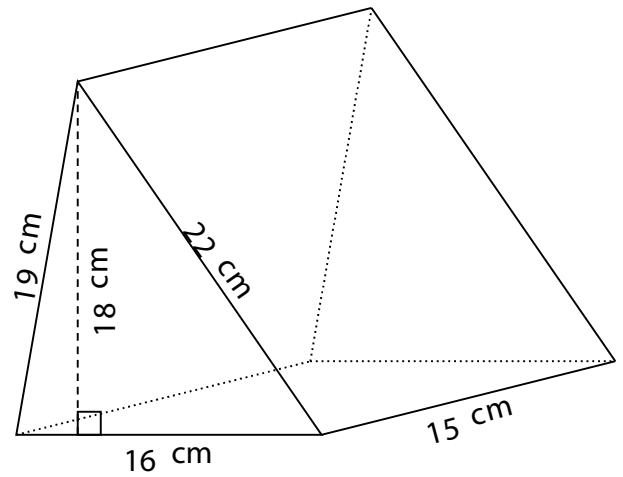
3.



---

$$V = 5387 \text{ cm}^3 \quad SA = 1701 \text{ cm}^2$$

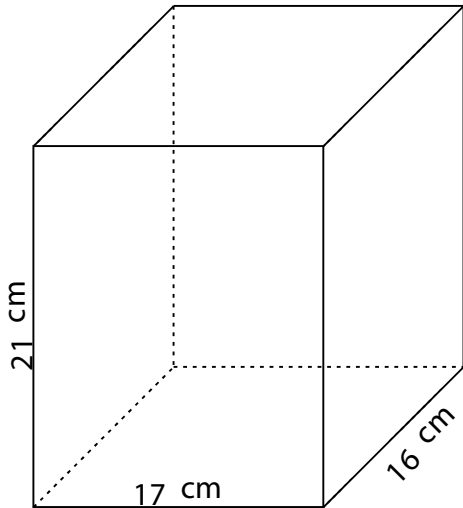
4.



---

$$V = 2160 \text{ cm}^3 \quad SA = 1143 \text{ cm}^2$$

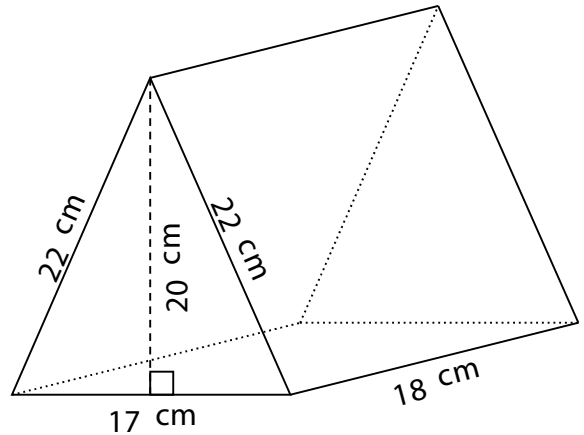
5.



---

$$V = 5712 \text{ cm}^3 \quad SA = 1930 \text{ cm}^2$$

6.



---

$$V = 3060 \text{ cm}^3 \quad SA = 1438 \text{ cm}^2$$